

Power

Horsepower	32 hp
Engine rpm Setting	3,000 rpm
Power Source	diesel engine

Dimensions

Weight (app)	4,800 lb
Overall Length	124"
Overall Width	62"
Overall Height (folded).....	65"
Mast Extended	162"
Probe Stroke	72"
Optional Probe Stroke	80"

Hydraulics

Hydraulic Oil Pressure.....	2,600 psi
Oil Flow	17 gpm
Hydraulic Oil Cooler	18,000 BTU single
Hydraulic Oil Capacity	20 gal

Hydraulic Operation

Down Force	29,000 lb
Pull-Up Force	42,000 lb
Head Travel Rate Up.....	18 sec
Head Travel Rate Down	12 sec
In/Out Travel	20"
Horizontal Traverse	47"
Foot Vertical Stroke	52"
Probe Angles.....	30 to 100 degrees
Lockable Probe Angles.....	90, 75, 60, 45 degrees

Hydraulic Hammers

Standard Hammer - AR-48	175 ft-lb - 1,500 bpm
Optional Hammer - AR-62.....	550 ft-lb - 1,150 bpm
Optional Hammer - S-21.....	201 ft-lb - 2,200 bpm

Auger Drive Head

Optional 2-Speed.....	3,400 ft-lb
2-Speed, Hi=150 rpm, Low=25 rpm	
Optional 2-Speed.....	2,400 ft-lb
2-Speed, Hi=150 rpm, Low=40 rpm	

call for pricing



PowerProbe™ 9500-D

The 9500-D (Diesel) PowerProbe™ runs off of a 32 hp liquid-cooled diesel engine. It comes standard with a 175 ft-lb hydraulic hammer for direct push penetration. Like the 9500-PTO, this model can also utilize hollowstem augers with your choice of two

available auger drive heads. This model comes standard with a 72" probe stroke that will allow for the use of 4' tooling and a rapid rail mounting system for easy transfer to another carrier vehicle.

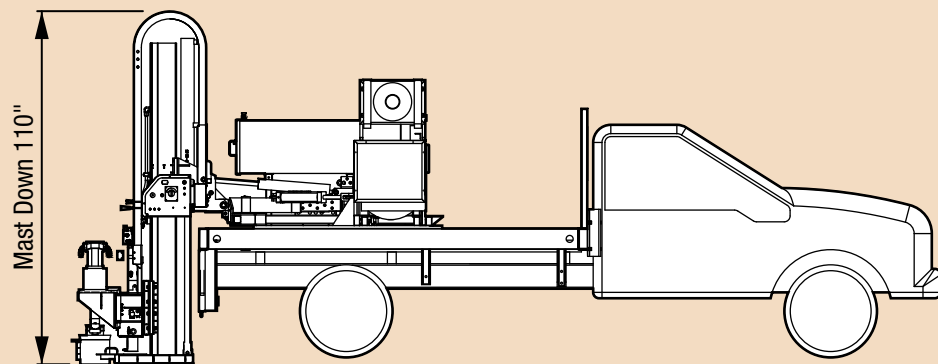
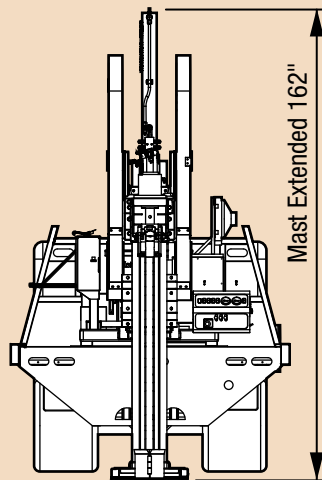
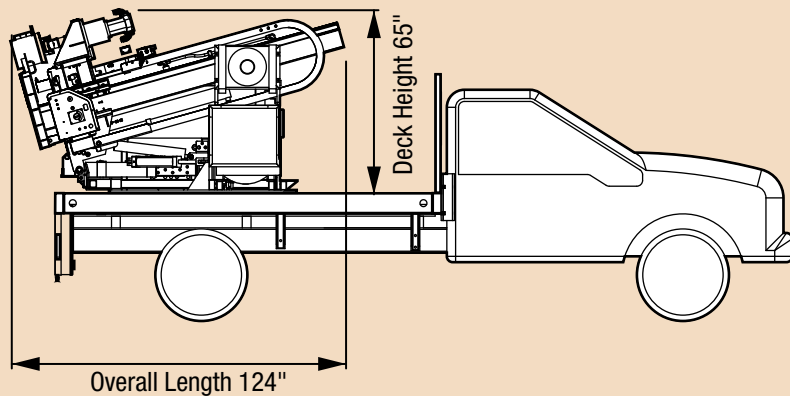
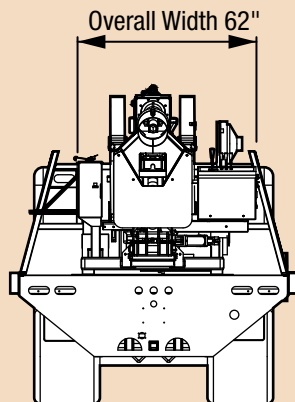
Standard Features

- Rapid rail mounting system
- Adjustable mast for angled probing and drilling
- Long lasting powder-coated finish
- 30 hp liquid-cooled diesel engine with gauges
- Anodized metal power track
- Electro-hydraulic valves – in-out, side-side, and tilt
- Spring-loaded pull yoke
- Enhanced control panel
- One year warranty
- Tooling storage
- Self-contained model
- 175 ft-lb hydraulic hammer

Convenience/Safety Package

- Hand auger to pre-clear soil boring locations
- Hydraulic oil pressure and temperature gauges
- Emergency stop system
- 12 volt accessory outlet
- Electronic rpm Control
- Hour meter
- Tooling vise

Check out our website at www.ams-samplers.com for pdf specification sheets on all PowerProbe™ models.

PowerProbe™ 9500-D

* Dimensions shown are for standard model.

Options and Accessories

- 10,000 lb. Hydraulic Winch
- 3,000 lb. Hydraulic Hi-Speed Winch
- Regen System
- Auxiliary Hydraulic Quick Connects
- Hydraulic Outriggers
- Customized Wash/Sample Prep/Decon Station
- Customized Equipment Storage – Tooling Boxes

Geotechnical Options

- Deck Mounted Auto Drop Hammer (SPT)
- Cathead System Complete with Slide Hammer (SPT)
- CPT, CPTu, Seismic and MemoVane (for accessories, see page 108.)
- Single Point Anchoring System (CPT)
- Dual Point Anchoring System (CPT)

Mounting Options

- AMS Heavy-Duty Flatbed (11 ft, 14 ft)
- AMS Heavy-Duty Support Trailer (12 ft)
- AMS Enclosed Flatbed (11 ft)

Do you need to move your system from one carrier to another?**Rapid Rail Mounting System**

The fastest, easiest way to move your self-contained PowerProbe™ from one carrier vehicle to another.

The rapid rail mounting system makes it easy to guide the PowerProbe™ on and off any carrier vehicle. The rapid rail can be mounted on a flatbed, pickup bed,

or trailer. Extra rapid rail mounts can be purchased giving the operator the ability to change carrier vehicles. The addition of rapid rail mounting system is a smart way to maximize the versatility of your PowerProbe™.

Available with this model. Call for details.